

## Nextiva S2800e V-WM Wall Mount

---



VIDEO INTELLIGENCE SOLUTIONS™



2009 Verint Systems Inc. All Rights Reserved Worldwide.

Unauthorized use, duplication, or modification of this document in whole or in part without the written consent of Verint Systems Inc. is strictly prohibited. By providing this document, Verint Systems Inc. is not making any representations regarding the correctness or completeness of its contents and reserves the right to alter this document at any time without notice. Features listed in this document are subject to change.

Verint Systems Inc. does not warrant, guarantee or make any representation regarding the use or the results of the use of the information, links, tools, and materials in terms of the accuracy, reliability, quality, validity, stability, completeness, currentness, or otherwise of its content or products. The entire risk as to the use, results and performance of information, links, tools and materials provided or referenced herein is assumed by the user. Verint Systems Inc. shall not be liable for damages resulting from the use, misuse or unlawful use of the information, links, tools, and materials contained or referenced herein.

The Verint Systems Inc. products are protected by one or more of the following U.S., European or International Patents: USPN 5,659,768; USPN 5,689,442; USPN 5,790,798; USPN 6,278,978; USPN 6,370,574; USPN 6,404,857; USPN 6,510,220; USPN 6,724,887; USPN 6,751,297; USPN 6,757,361; USPN 6,782,093; USPN 6,952,732; USPN 6,959,078; USPN 6,959,405; USPN 7,047,296; USPN 7,149,788; USPN 7,155,399; USPN 7,203,285; USPN 7,216,162; USPN 7,219,138; USPN 7,254,546; USPN 7,281,173; USPN 7,284,049; USPN 7,325,190; USPN 7,424,715; USPN 7,466,816; USPN 7,478,051; USPN RE40,634; and other provisional rights from one or more of the following Published US Patent Applications: US 11/394,408; US 11/771,499; US 11/396,514; US 11/772,440; US 11/565,943; US 11/565,946; US 11/565,948; US 11/540,739; US 11/540,086; US 11/541,313; US 11/541,252; US 11/540,282; US 11/529,947; US 11/540,785; US 11/540,736; US 11/540,904; US 11/540,353; US 11/608,340; US 11/608,350; US 11/608,358; US 11/567,808; US 11/692,983; US 11/693,933; US 11/693,923; US 11/693,828; US 11/567,852; US 11/608,440; US 12/015,621; US 11/540,322; US 11/924,201; US 11/616,490; US 11/621,134; US 11/752,458; US 11/712,933; US 11/824,980; US 11/729,185; US 11/804,748; US 11/831,260; US 11/395,992; US 11/359,319; US 11/359,195; US 11/359,357; US 10/832,509; US 11/742,733; US 11/831,257; US 11/831,250; US 11/691,530; US 11/479,267; US 11/529,942; US 11/768,349; US 11/540,281; US 10/633,357; US 11/693,899; US 11/479,056; US 11/529,132; US 11/540,320; US 11/037,604; US 11/529,842; US 11/540,171; US 11/478,714; US 11/529,946; US 11/868,656; US 11/776,659; US 11/090,638; US 11/410,004; US 10/771,315; US 10/771,409; US 11/540,900; US 11/528,267; US 12/118,781; and other U.S. and International Patents and Patents Pending.

VERINT, the VERINT logo, ACTIONABLE INTELLIGENCE, POWERING ACTIONABLE INTELLIGENCE, WITNESS ACTIONABLE SOLUTIONS, STAR-GATE, RELIANT, VANTAGE, X-TRACT, NEXTIVA, ULTRA, AUDIOLOG, WITNESS, the WITNESS logo, IMPACT 360, the IMPACT 360 logo, IMPROVE EVERYTHING, EQUALITY, CONTACTSTORE, and CLICK2STAFF are trademarks or registered trademarks of Verint Systems Inc. or its subsidiaries. Other trademarks mentioned are the property of their respective owners.

## Product



The V-WM Wall Mount offers a mounting alternative for pendant configurations of the wall mount and can be used for indoor applications with a small inconspicuous mounting plate for an aesthetically pleasing look; for rugged indoor or outdoor applications, a large mounting plate and weatherproof gasket is provided to form a moisture seal. In addition, the outdoor mounting plate provides a more secure installation that is less susceptible to vandalism; tamperproof mounting hardware (not included) can be used for added security. The accessory kit contains all necessary hardware for installation except mounting hardware appropriate for the mounting surface.

### V-WM Wall Mount

- Indoor/Outdoor
- Compatible with Nextiva® S2800e cameras
- For pendant installation
- Easy installation

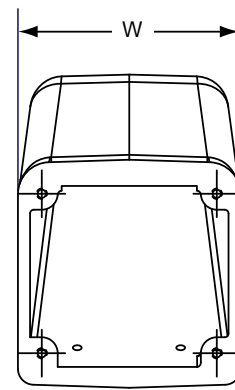
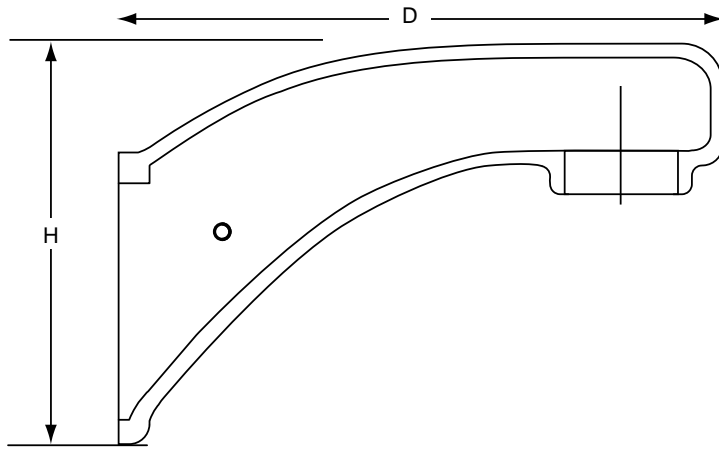
## Technical Information

### MECHANICAL

<b>Application:</b>	Indoor or outdoor.
<b>Mounting:</b>	Wall or vertical structure.
<b>Mounting Thread:</b>	Standard 1-1/2 in. NPT-F pipe thread.
<b>Dimensions:</b>	Height (H): 4.9 in. (124 mm). Width (W): 3.5 in. (89 mm). Depth (D): 7.5 in. (191 mm).
<b>Weight:</b>	1.4 lb (0.6 kg).
<b>Construction:</b>	Cast aluminum, steel and stainless steel.
<b>Finish:</b>	Painted white.

### ENVIRONMENTAL

<b>Storage Temperature Range:</b>	-40 to 150° F (-40 to 60° C).
<b>Storage Humidity Range:</b>	0 to 90% relative, noncondensing.



1-1/2 in. NPT thread

**Figure 1: Dimension Drawing**