

# Nextiva S2800e V-UWM Universal Wall Mount

Installation & Operation Manual



VIDEO INTELLIGENCE SOLUTIONS™



2009 Verint Systems Inc. All Rights Reserved Worldwide.

Unauthorized use, duplication, or modification of this document in whole or in part without the written consent of Verint Systems Inc. is strictly prohibited. By providing this document, Verint Systems Inc. is not making any representations regarding the correctness or completeness of its contents and reserves the right to alter this document at any time without notice. Features listed in this document are subject to change.

Verint Systems Inc. does not warrant, guarantee or make any representation regarding the use or the results of the use of the information, links, tools, and materials in terms of the accuracy, reliability, quality, validity, stability, completeness, currentness, or otherwise of its content or products. The entire risk as to the use, results and performance of information, links, tools and materials provided or referenced herein is assumed by the user. Verint Systems Inc. shall not be liable for damages resulting from the use, misuse or unlawful use of the information, links, tools, and materials contained or referenced herein.

The Verint Systems Inc. products are protected by one or more of the following U.S., European or International Patents: USPN 5,659,768; USPN 5,689,442; USPN 5,790,798; USPN 6,278,978; USPN 6,370,574; USPN 6,404,857; USPN 6,510,220; USPN 6,724,887; USPN 6,751,297; USPN 6,757,361; USPN 6,782,093; USPN 6,952,732; USPN 6,959,078; USPN 6,959,405; USPN 7,047,296; USPN 7,149,788; USPN 7,155,399; USPN 7,203,285; USPN 7,216,162; USPN 7,219,138; USPN 7,254,546; USPN 7,281,173; USPN 7,284,049; USPN 7,325,190; USPN 7,424,715; USPN 7,466,816; USPN 7,478,051; USPN RE40,634; and other provisional rights from one or more of the following Published US Patent Applications: US 11/394,408; US 11/771,499; US 11/396,514; US 11/772,440; US 11/565,943; US 11/565,946; US 11/565,948; US 11/540,739; US 11/540,086; US 11/541,313; US 11/541,252; US 11/540,282; US 11/529,947; US 11/540,785; US 11/540,736; US 11/540,904; US 11/540,353; US 11/608,340; US 11/608,350; US 11/608,358; US 11/567,808; US 11/692,983; US 11/693,933; US 11/693,923; US 11/693,828; US 11/567,852; US 11/608,440; US 12/015,621; US 11/540,322; US 11/924,201; US 11/616,490; US 11/621,134; US 11/752,458; US 11/712,933; US 11/824,980; US 11/729,185; US 11/804,748; US 11/831,260; US 11/395,992; US 11/359,319; US 11/359,195; US 11/359,357; US 10/832,509; US 11/742,733; US 11/831,257; US 11/831,250; US 11/691,530; US 11/479,267; US 11/529,942; US 11/768,349; US 11/540,281; US 10/633,357; US 11/693,899; US 11/479,056; US 11/529,132; US 11/540,320; US 11/037,604; US 11/529,842; US 11/540,171; US 11/478,714; US 11/529,946; US 11/868,656; US 11/776,659; US 11/090,638; US 11/410,004; US 10/771,315; US 10/771,409; US 11/540,900; US 11/528,267; US 12/118,781; and other U.S. and International Patents and Patents Pending.

VERINT, the VERINT logo, ACTIONABLE INTELLIGENCE, POWERING ACTIONABLE INTELLIGENCE, WITNESS ACTIONABLE SOLUTIONS, STAR-GATE, RELIANT, VANTAGE, X-TRACT, NEXTIVA, ULTRA, AUDIOLOG, WITNESS, the WITNESS logo, IMPACT 360, the IMPACT 360 logo, IMPROVE EVERYTHING, EQUALITY, CONTACTSTORE, and CLICK2STAFF are trademarks or registered trademarks of Verint Systems Inc. or its subsidiaries. Other trademarks mentioned are the property of their respective owners.



## Introduction

The information in this instruction manual covers the installation of the V-UWM Universal Wall Mount for the Nextiva® S2800e IP PTZ Camera Dome System (pendant configuration). This mount should only be installed by a qualified technician using approved materials and wiring practices in accordance with the National Electrical Code ANSI/NFPA 70, state, and local electrical codes. Read these instructions thoroughly before beginning an installation.

## Installation

### Installation Preparation

The Nextiva S2800e Camera Dome System is a modular product. The mount, housing, and drive mechanism are separate components. The installation instructions for all the components should be read before beginning the installation of any component.

The V-UWM Wall Mount has a 1-1/2-inch NPT-F American National Standard Tapered Pipe Thread (NPT). The dome housing is mounted to the V-UWM in this pipe thread in accordance with the installation manual for the camera dome system.

The wall mount is designed to attach to a wall or other vertical surface. It has a mounting flange with a 4-hole pattern. Refer to Figure 1.

Cabling for power, control, and video must be run to the installation site before the mount is installed, since it is run through the mount to the interior of the dome assembly. The recommended method for cable routing is through the open back where the flange mounts to the vertical surface. If the surface is solid and impermeable, use the access hole provided to route cables. The supplied liquid tight fitting can be installed for indoor or outdoor applications which will provide a 0.7-inch (18 mm) diameter maximum clearance for cables. In addition, a standard 3/4-inch conduit fitting can be installed in this hole for indoor or outdoor applications.

**Note:** *If more than one wire is routed through the fitting, place a bead of silicone sealant around the end of the fitting where the wires protrude to ensure a watertight seal.*

### *Fastener Guidelines*

This mount is designed to be attached with 3/8-inch (metric M9) bolts or lag screws. Bolts should extend through the structure with nuts and washers used on the opposite side. Studs should be either anchored in concrete or welded to steel. If the mount is to be attached to a blind structure, make certain that the fasteners used have a minimum pull-out strength of 1500 pounds (680 kg) each and are locked with washers. Never use lag screws in the end grain of wood.

1. If the surface is concrete, use 3/8-inch diameter lag bolts, flat and lock washers with concrete anchors.
2. If the surface is wood, use 3/8-16 bolts, nuts, flat and lock washers.
3. If the mount is to be attached to wooden beams, use 3/8-inch lag bolts not shorter than 2.5 inches (6.4 cm) with flat and lock washers.
4. If the mount is to be attached to steel beams or steel plate, use 3/8-16 bolts, nuts, flat and lock washers.

**Note:** Use stainless steel mounting hardware for units mounted outdoors.

### Installation Procedure

1. Select a mounting location that meets the requirements stated above for support and access. The mount weighs 4.5 pounds (2.0 kg). Refer to the appropriate Product Specifications for the other components in the system for their weights. If using an existing accessory or adapter type mount, i.e., V24CMB Corner Mounting Bracket, proceed to Step 5.

**⚠ Caution:** Mount this unit only to structural materials with sufficient strength to carry the weight of the unit.

2. Mark the locations for drilling the mounting bolt holes by using the mount base as a template.
3. Drill passage holes for the bolts or drill pilot holes for the lag screws.
4. Pass the cables through the vertical mounting surface as follows for the particular application:
  - a) If the surface is a solid wall, cut a hole just large enough to comfortably pass the cables.
  - b) If the surface is part of a mounting adapter, route the cables through the adapter and into the mount.
  - c) If the cables are being routed outside the mount's flange, route them through the mount's access hole. Remove the plastic plug, install the liquid tight fitting or conduit fitting, route the cables through the fitting, tighten the nut to compress the seal gland fitting and place a bead of silicone sealant around the end of the fitting.

**Note:** Verify that the selected mounting location is free of obstacles such as wiring or pipes.

5. Feed the cables through the mount so that at least two feet of cable projects from the end of the threaded pipe. Be careful not to scrape insulation off the cables as they are passed through the mount.
6. Put a generous bead of silicone sealant around the flange surface of the mount to prevent water from entering the mount. Place the silicone so that a continuous perimeter seal will be made when the mount is bolted to the mounting surface.
7. Line up the mounting holes and attach the mount to the supporting structure.



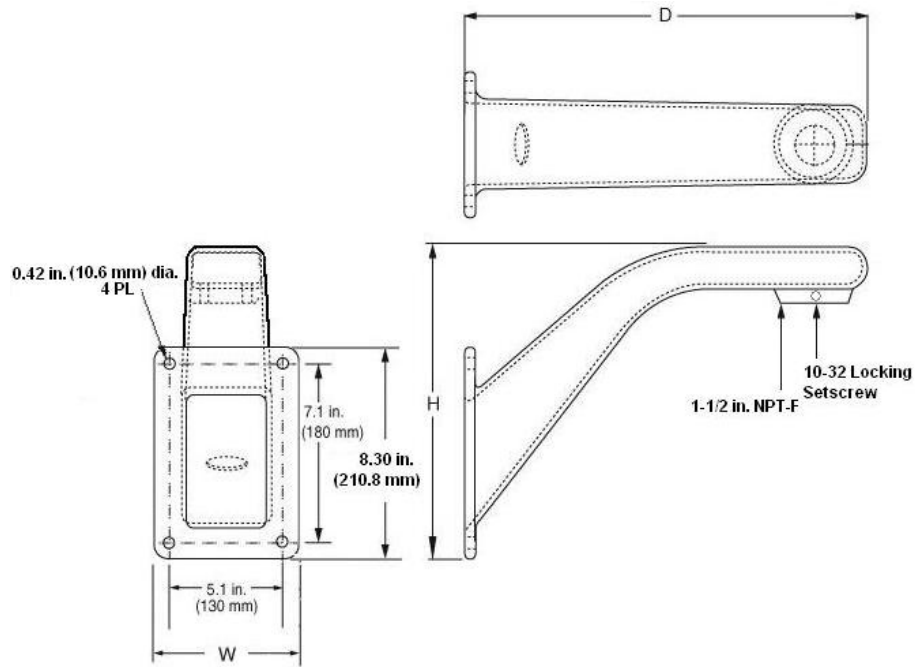
8. Carefully seal the perimeter edge of the mount after installation.

**Note:** Pay particular attention that all gaps are sealed if the V-UWM is mounted to an irregular surface, such as a brick facade.

## Technical Information

### **MECHANICAL**

<b>Application:</b>	Indoor or outdoor.
<b>Mounting:</b>	Wall or vertical structure.
<b>Mounting Flange Thread:</b>	Standard NPT-F thread to 1-1/2 in. pipe.
<b>Dimensions:</b>	See Figure 1. Height (H): 11.6 in. (295 mm). Width (W): 6.3 in. (160 mm). Depth (D): 14.6 in. (371 mm).
<b>Weight:</b>	4.5 lb (2.0 kg).
<b>Construction:</b>	Cast aluminum.
<b>Finish:</b>	Painted white polyurethane.
<b>ENVIRONMENTAL (Not evaluated by UL)</b>	
<b>Storage Temperature Range:</b>	-40° to 150° F (-40° to 60° C).
<b>Storage Humidity Range:</b>	0 to 90% relative, non-condensing.



**Figure 1**  
**Maximum Outline Dimensions**