

Nextiva S2800e V-URM-1 Outdoor Roof Mount

Installation & Operation Manual



VIDEO INTELLIGENCE SOLUTIONS™



2009 Verint Systems Inc. All Rights Reserved Worldwide.

Unauthorized use, duplication, or modification of this document in whole or in part without the written consent of Verint Systems Inc. is strictly prohibited. By providing this document, Verint Systems Inc. is not making any representations regarding the correctness or completeness of its contents and reserves the right to alter this document at any time without notice. Features listed in this document are subject to change.

Verint Systems Inc. does not warrant, guarantee or make any representation regarding the use or the results of the use of the information, links, tools, and materials in terms of the accuracy, reliability, quality, validity, stability, completeness, currentness, or otherwise of its content or products. The entire risk as to the use, results and performance of information, links, tools and materials provided or referenced herein is assumed by the user. Verint Systems Inc. shall not be liable for damages resulting from the use, misuse or unlawful use of the information, links, tools, and materials contained or referenced herein.

The Verint Systems Inc. products are protected by one or more of the following U.S., European or International Patents: USPN 5,659,768; USPN 5,689,442; USPN 5,790,798; USPN 6,278,978; USPN 6,370,574; USPN 6,404,857; USPN 6,510,220; USPN 6,724,887; USPN 6,751,297; USPN 6,757,361; USPN 6,782,093; USPN 6,952,732; USPN 6,959,078; USPN 6,959,405; USPN 7,047,296; USPN 7,149,788; USPN 7,155,399; USPN 7,203,285; USPN 7,216,162; USPN 7,219,138; USPN 7,254,546; USPN 7,281,173; USPN 7,284,049; USPN 7,325,190; USPN 7,424,715; USPN 7,466,816; USPN 7,478,051; USPN RE40,634; and other provisional rights from one or more of the following Published US Patent Applications: US 11/394,408; US 11/771,499; US 11/396,514; US 11/772,440; US 11/565,943; US 11/565,946; US 11/565,948; US 11/540,739; US 11/540,086; US 11/541,313; US 11/541,252; US 11/540,282; US 11/529,947; US 11/540,785; US 11/540,736; US 11/540,904; US 11/540,353; US 11/608,340; US 11/608,350; US 11/608,358; US 11/567,808; US 11/692,983; US 11/693,933; US 11/693,923; US 11/693,828; US 11/567,852; US 11/608,440; US 12/015,621; US 11/540,322; US 11/924,201; US 11/616,490; US 11/621,134; US 11/752,458; US 11/712,933; US 11/824,980; US 11/729,185; US 11/804,748; US 11/831,260; US 11/395,992; US 11/359,319; US 11/359,195; US 11/359,357; US 10/832,509; US 11/742,733; US 11/831,257; US 11/831,250; US 11/691,530; US 11/479,267; US 11/529,942; US 11/768,349; US 11/540,281; US 10/633,357; US 11/693,899; US 11/479,056; US 11/529,132; US 11/540,320; US 11/037,604; US 11/529,842; US 11/540,171; US 11/478,714; US 11/529,946; US 11/868,656; US 11/776,659; US 11/090,638; US 11/410,004; US 10/771,315; US 10/771,409; US 11/540,900; US 11/528,267; US 12/118,781; and other U.S. and International Patents and Patents Pending.

VERINT, the VERINT logo, ACTIONABLE INTELLIGENCE, POWERING ACTIONABLE INTELLIGENCE, WITNESS ACTIONABLE SOLUTIONS, STAR-GATE, RELIANT, VANTAGE, X-TRACT, NEXTIVA, ULTRA, AUDIOLOG, WITNESS, the WITNESS logo, IMPACT 360, the IMPACT 360 logo, IMPROVE EVERYTHING, EQUALITY, CONTACTSTORE, and CLICK2STAFF are trademarks or registered trademarks of Verint Systems Inc. or its subsidiaries. Other trademarks mentioned are the property of their respective owners.



Introduction

The information in this manual covers the installation, operation, and maintenance of the Nextiva S2800e V-URM-1 Roof Mount. This unit should only be installed by a qualified technician using approved materials and wiring practices in accordance with the National Electrical Code ANSI/NFPA 70, state, and local codes. Read these instructions through completely before attempting installation.

The V-URM-1 is designed to allow the Nextiva S2800e IP PTZ Camera Dome System to be mounted to a roof. The roof mount provides a sturdy installation capable of withstanding extreme weather conditions. It allows the mounted equipment to be swiveled onto the roof for easy serviceability and adjustment.

Installation

The V-URM-1 Roof Mount consists of the roof mount pipe, the roof mount neck, support braces, a gusset brace, a pipe support, a mounting plate, an end plug, pipe sealant tape and appropriate hardware. See Table 1. The hardware used to secure the mounting plate to the mounting surface must be supplied by the customer and appropriate for the type of mounting surface.

**TABLE 1
MOUNTING KIT COMPONENTS**

Item No.	Component	Quantity	Function
1	Mounting plate	1	Secures roof mount to mounting surface
2	Pipe support	1	Secures roof mount to mounting plate
3	Support brace	2	Secures pipe sup-port to mounting plate
4	Gusset brace	1	Adds support to pipe support
5	U bolts	2	Secures pipe sup-port to roof mount neck
6	End plug	1	Closes off bottom of mount but allows cabling to be routed
7	3/8-16x1 in. screw	6	Secures pipe sup-port to mounting plate
8	3/8 lock washer	14	Secures items 7, 5 and 11
9	3/8x18x0.06 flat washer	18	Secures items 7, 5 and 11
10	5/16-24x0.3 set screw	2	Prevents mount from spinning, if desired
11	3/8-16 nut	10	Secures items 7 and 5
12	1/4-20x1/4 set screw	2	Secures item 2
13	Pipe sealant tape	1	Seals pipe thread
14	Doubler plate	1	Adds support for mount from the underside
15	10-32 nylon tip set screw	1	Secures dome, optional

Note: *The V-URM-1 is designed to support the weight of the Nextiva S2800e Camera Dome System. Refer to the appropriate Product Specification for the weight of this dome system. Be sure that the mount is installed in a location that can support the load.*

Note: *For outdoor installations, it is recommended that stainless steel hardware be used. All mounting hardware MUST have minimum pullout strength of 600 lb (272 kg) per bolt. When mounting to wood, use screws long enough to penetrate at least 2.5 inches (64 mm). If mounting to a steel structure, drill holes according to the mounting pattern. Screws should be long enough to accommodate lock washers and nuts. In masonry or concrete, use lead anchors or expansion bolts installed according to the manufacturer's instructions.*



Before beginning installation of the roof mount, run all necessary cabling to the location selected for the installation. Cables are routed up through the mount to the dome system. Refer to Figure 1 when performing the following procedure.

1. Attach the pipe support to the mounting plate with the 3/8x16 screws, lock washers, flat washers, and nuts provided.
2. Attach a support brace to each side of the pipe support. One end of the brace is attached to the pipe support; the other is secured to the mounting plate. Use the nuts and washers provided. For added support, attach the gusset brace to the inner sides of the pipe support with the nuts and washers provided.
3. Attach the mounting plate to the roof surface using a minimum of six (6) holes with hardware appropriate for the surface. Refer to Figure 2 for dimensions. Use the doubler plate if the roof cannot support the screws. Hardware for this step must be provided by the installer.
4. Insert the end plug supplied into the bottom opening of the roof mount neck.
5. Place the roof mount neck in the corner of the pipe support and secure with the two (2) U bolts, lock washers and flat washers provided. If desired, to prevent the roof mount from spinning, drill two 0.209 in. diameter holes in tubing and insert the set screws provided into the holes near the bottom of the neck.
6. Route the cables through the end plug and up the mount to where the dome system is installed.
7. Screw the housing directly into the roof mount. Refer to the instruction manual for installation of the domed housing for specific installation instructions. Wrap sealant tape around pipe thread.
8. To swivel the dome system out over the roof, loosen the U bolts just enough to allow movement and position the unit. Tighten the U bolts to secure the mount into position.

Note: *If the optional set screws were installed, they must be loosened to swivel the unit.*

9. For high vandalism areas, lock the dome with the soft tip set screw supplied.

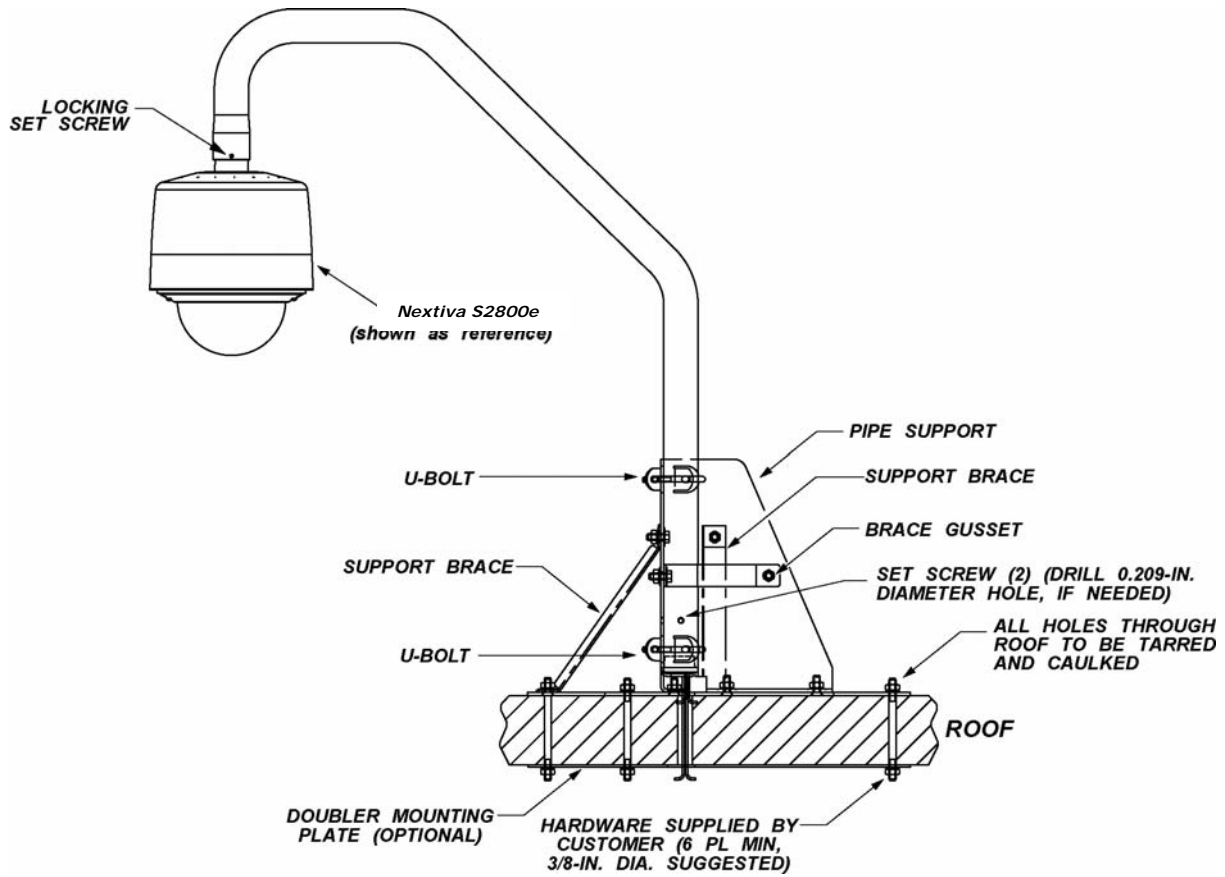


Figure 1
V-URM-1 Installation

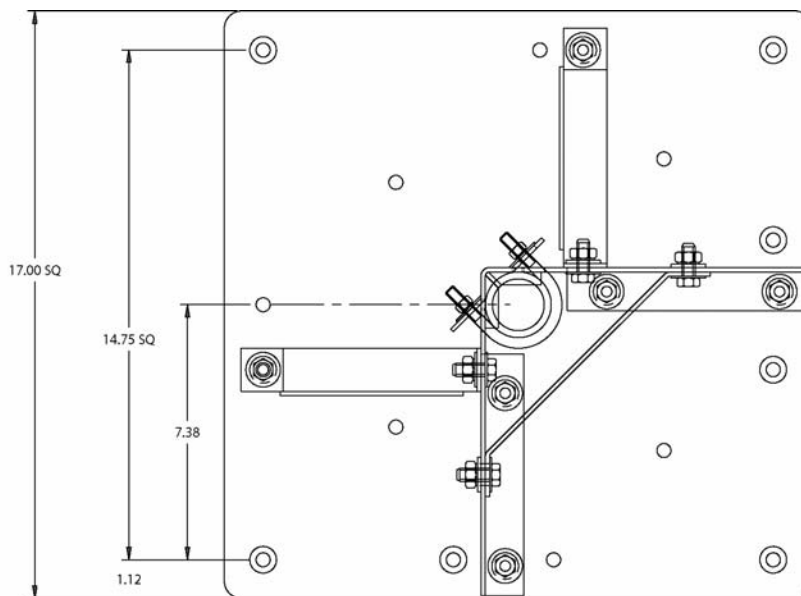


Figure 2
Mounting Plate Dimensions



Operation

To swivel the mount in from the roof for access to the dome system, loosen the U bolts just enough to allow movement. Swing the unit in from the roof. After servicing or adjustment is complete, reposition the mount, and tighten the U bolts. Tighten the set screws if they were used.

Maintenance

The V-URM-1 Roof Mount requires no maintenance.

Technical Information

MECHANICAL

Load Rating: Accommodates the Nextiva S2800e Camera Dome System.

Dimensions: Height: 37 in. (940 mm).
Width: 27 in. (686 mm).
Mounting Plate: 17.0 in. (432 mm) square.

Construction: Mount: aluminum pipe.
Braces and supports: steel.
Hardware: stainless steel.

Finish: White paint.

ENVIRONMENTAL

Not evaluated by UL

Wind: Withstands winds up to 80 mph.