

# Nextiva S2800e V-UCM Universal Ceiling Mount

Installation & Operation Manual



VIDEO INTELLIGENCE SOLUTIONS™



2009 Verint Systems Inc. All Rights Reserved Worldwide.

Unauthorized use, duplication, or modification of this document in whole or in part without the written consent of Verint Systems Inc. is strictly prohibited. By providing this document, Verint Systems Inc. is not making any representations regarding the correctness or completeness of its contents and reserves the right to alter this document at any time without notice. Features listed in this document are subject to change.

Verint Systems Inc. does not warrant, guarantee or make any representation regarding the use or the results of the use of the information, links, tools, and materials in terms of the accuracy, reliability, quality, validity, stability, completeness, currentness, or otherwise of its content or products. The entire risk as to the use, results and performance of information, links, tools and materials provided or referenced herein is assumed by the user. Verint Systems Inc. shall not be liable for damages resulting from the use, misuse or unlawful use of the information, links, tools, and materials contained or referenced herein.

The Verint Systems Inc. products are protected by one or more of the following U.S., European or International Patents: USPN 5,659,768; USPN 5,689,442; USPN 5,790,798; USPN 6,278,978; USPN 6,370,574; USPN 6,404,857; USPN 6,510,220; USPN 6,724,887; USPN 6,751,297; USPN 6,757,361; USPN 6,782,093; USPN 6,952,732; USPN 6,959,078; USPN 6,959,405; USPN 7,047,296; USPN 7,149,788; USPN 7,155,399; USPN 7,203,285; USPN 7,216,162; USPN 7,219,138; USPN 7,254,546; USPN 7,281,173; USPN 7,284,049; USPN 7,325,190; USPN 7,424,715; USPN 7,466,816; USPN 7,478,051; USPN RE40,634; and other provisional rights from one or more of the following Published US Patent Applications: US 11/394,408; US 11/771,499; US 11/396,514; US 11/772,440; US 11/565,943; US 11/565,946; US 11/565,948; US 11/540,739; US 11/540,086; US 11/541,313; US 11/541,252; US 11/540,282; US 11/529,947; US 11/540,785; US 11/540,736; US 11/540,904; US 11/540,353; US 11/608,340; US 11/608,350; US 11/608,358; US 11/567,808; US 11/692,983; US 11/693,933; US 11/693,923; US 11/693,828; US 11/567,852; US 11/608,440; US 12/015,621; US 11/540,322; US 11/924,201; US 11/616,490; US 11/621,134; US 11/752,458; US 11/712,933; US 11/824,980; US 11/729,185; US 11/804,748; US 11/831,260; US 11/395,992; US 11/359,319; US 11/359,195; US 11/359,357; US 10/832,509; US 11/742,733; US 11/831,257; US 11/831,250; US 11/691,530; US 11/479,267; US 11/529,942; US 11/768,349; US 11/540,281; US 10/633,357; US 11/693,899; US 11/479,056; US 11/529,132; US 11/540,320; US 11/037,604; US 11/529,842; US 11/540,171; US 11/478,714; US 11/529,946; US 11/868,656; US 11/776,659; US 11/090,638; US 11/410,004; US 10/771,315; US 10/771,409; US 11/540,900; US 11/528,267; US 12/118,781; and other U.S. and International Patents and Patents Pending.

VERINT, the VERINT logo, ACTIONABLE INTELLIGENCE, POWERING ACTIONABLE INTELLIGENCE, WITNESS ACTIONABLE SOLUTIONS, STAR-GATE, RELIANT, VANTAGE, X-TRACT, NEXTIVA, ULTRA, AUDIOLOG, WITNESS, the WITNESS logo, IMPACT 360, the IMPACT 360 logo, IMPROVE EVERYTHING, EQUALITY, CONTACTSTORE, and CLICK2STAFF are trademarks or registered trademarks of Verint Systems Inc. or its subsidiaries. Other trademarks mentioned are the property of their respective owners.



## Introduction

The information in this instruction manual covers the installation of the V-UCM Universal Ceiling Mount for the Nextiva® S2800e IP PTZ Camera Dome System (pendant configuration). This mount should only be installed by a qualified technician using approved materials and wiring practices in accordance with the National Electrical Code ANSI/NFPA 70, state, and local electrical codes. Read these instructions thoroughly before beginning an installation.

## Installation

### Installation Preparation

The Nextiva S2800e IP PTZ Camera Dome System is a modular product. The mount, housing, and drive mechanism are separate components. The installation instructions for all the components should be read before beginning the installation of any component.

The V-UCM Ceiling Mount has a welded section of 1-1/2-inch (38 mm) diameter American National Standard Tapered Pipe Thread (NPT-F) coupling. The dome housing is mounted to the V-UCM on this pipe thread in accordance with the installation manual for the camera dome system. The ceiling mount is designed to attach to a ceiling or other horizontal surface. It has a mounting flange with a 4-hole pattern. See Figure 1.

Cabling for power, control, and video must be run to the installation site before the mount is installed, since it is run through the mount to the interior of the dome assembly. The recommended method for cable routing is through the open back and down the pipe to the dome. However, if the mounting surface is solid and impermeable, remove the plug from the access hole and use it to route cables through. A standard 1-inch (25 mm) conduit fitting can be installed in this hole for indoor or outdoor applications.

**Note:** *Place a bead of silicone sealant around the end of the fitting where the wires protrude to ensure a watertight seal.*

**Warning:** *In outdoor applications, seal the perimeter of the mounting flange with a bead of silicone sealant to provide a watertight seal. Failure to prevent water from entering the pipe and dome can result in improper operation and/or damage to the dome.*



### *Fastener Guidelines*

This mount is designed to be attached with 3/8-inch (metric M9) bolts or lag screws. Bolts should extend through the structure with nuts and washers used on the opposite side. Studs should be either anchored in concrete or welded to steel. If the mount is to be attached to a blind structure, make certain that the fasteners used have a minimum pull-out strength of 1500 pounds (680 kg) each and are locked with washers. Never use lag screws in the end grain of wood.

1. If the surface is concrete, use 3/8-inch diameter lag bolts, flat and lock washers with concrete anchors.
2. If the surface is wood, use 3/8-16 bolts, nuts, flat and lock washers.
3. If the mount is to be attached to wooden beams, use 3/8-inch lag bolts not shorter than 2.5 inches (64 mm) with flat and lock washers.
4. If the mount is to be attached to steel beams or steel plate, use 3/8-16 bolts, nuts, flat and lock washers.

**Note:** Use stainless steel mounting hardware for units mounted outdoors.

### Installation Procedure

1. Select a mounting location that will support the collective weight of the system. The mount weighs 3.3 pounds (1.5 kg). Refer to the appropriate Product Specifications for the weights of the other components in the system.

**⚠ Caution:** Mount this unit only to structural materials with sufficient strength to carry the weight of the unit.

**Note:** Verify that the selected mounting location is free of obstacles such as wiring or pipes.

2. Mark the locations for drilling the mounting bolt holes by using the mount base as a template.
3. Drill passage holes for the bolts or drill pilot holes for the lag screws.
4. Pass the cables through the horizontal mounting surface as follows for the particular application:
  - a) If the surface is a solid wall, cut a hole just large enough to comfortably pass the cables.
  - b) If the cables are being routed outside the mount's flange, route them through the mount's access hole. Install the conduit fitting, route the cables through the fitting, secure the fitting and place a bead of silicone sealant around the end of the fitting.

**Note:** Verify that the selected mounting location is free of obstacles such as wiring or pipes.

5. Feed the cables through the mount so that at least two feet of cable projects from the end of the threaded pipe. Be careful not to scrape insulation off the cables as they are passed through the mount.
6. For outdoor applications, place a continuous bead of silicone sealant around the flange surface of the mount to prevent water from entering the mount.
7. Line up the mounting holes and attach the mount to the supporting structure.
8. For outdoor applications, place an additional bead of silicone sealant around the perimeter edge of the mount after installation to ensure a watertight seal.



**Note:** Pay particular attention that all gaps are sealed if the V-UCM is mounted to an irregular surface, such as a brick facade.

9. Install the dome housing onto the mount following the instructions in the manual for the camera dome system.
10. For high vandalism areas, lock the dome with the soft tip set screw supplied.

## Technical Information

### **MECHANICAL**

<b>Application:</b>	Indoor or outdoor.
<b>Mounting:</b>	Ceiling or horizontal structure.
<b>Mounting Thread:</b>	Standard 1-1/2-in. female coupling.
<b>Dimensions:</b>	See Figure 1. Height (H): 3.1 in. (78.7 mm). Width (W): 6.0 in. (152 mm). Depth (D): 9.1 in. (231 mm).
<b>Weight:</b>	3.3 lb (1.5 kg).
<b>Construction:</b>	Carbon steel.
<b>Finish:</b>	Painted light gray polyurethane.
<b>ENVIRONMENTAL (Not evaluated by UL)</b>	
<b>Storage Temperature Range:</b>	-40° to 150° F (-40° to 60° C).
<b>Storage Humidity Range:</b>	0 to 90% relative, non-condensing.

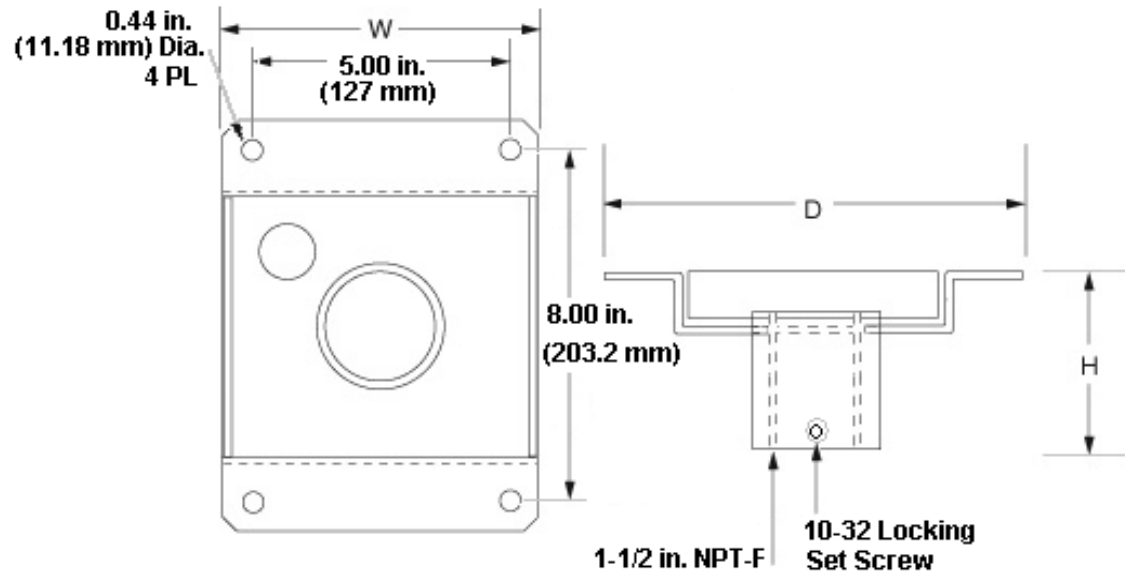


Figure 1  
Maximum Outline Dimensions